

1

2 **7 CONNECTIVITY CONFIGURATIONS..... 2**

3 7.1 INTRODUCTION ..... 2

4 7.2 VLAN CONFIGURATIONS..... 2

5 7.3 TUNNELING CONFIGURATIONS..... 2

6 7.4 MULTICAST CONFIGURATIONS..... 2

7 7.4.1 Introduction ..... 2

8 7.4.2 Multicast transport mechanisms ..... 3

9 7.4.2.1 Multicast LLID..... ~~43~~

10 7.4.2.1.1 Multicast PLID..... 4

11 7.4.2.1.2 Multicast MLID ..... 4

12 7.4.2.1.3 Multicast ULID ..... ~~54~~

13 7.4.2.1.4 Broadcast LLID ..... ~~54~~

14 7.4.2.2 Multicast ESP..... 5

15 7.4.2.3 25G-EPON and 50G-EPON coexistence ..... ~~87~~

16 7.4.2.4 ONU-sourced multicast transport ..... ~~97~~

17 7.4.3 Multicast group control ..... ~~98~~

18 7.4.3.1 Client-controlled and server-controlled multicast group membership..... ~~98~~

19 7.4.3.2 IGMP-based and MLD-based multicast control..... ~~98~~

20 7.4.3.2.1 ONU requirements ..... ~~98~~

21 7.4.3.2.2 OLT requirements..... ~~108~~

22 7.4.4 Provisioning of multicast transport ..... ~~119~~

23 7.4.4.1 Provisioning of inter-ONU multicast based on mLLID ..... ~~119~~

24 7.4.4.2 Provisioning of intra-ONU multicast using port-based multicast group control ..... ~~1140~~

25 7.4.4.3 Provisioning of intra-ONU multicast using MAC-based multicast group control ..... ~~1244~~

26 7.4.4.4 Provisioning examples of multicast forwarding based on mULID and IP group address ..... ~~1344~~

27 7.4.4.4.1 OLT forwarding behavior ..... ~~1344~~

28 7.4.4.4.2 ONU forwarding behavior ..... ~~1543~~

29

30

1 **7 Connectivity configurations**

2 **7.1 Introduction**

3 **7.2 VLAN configurations**

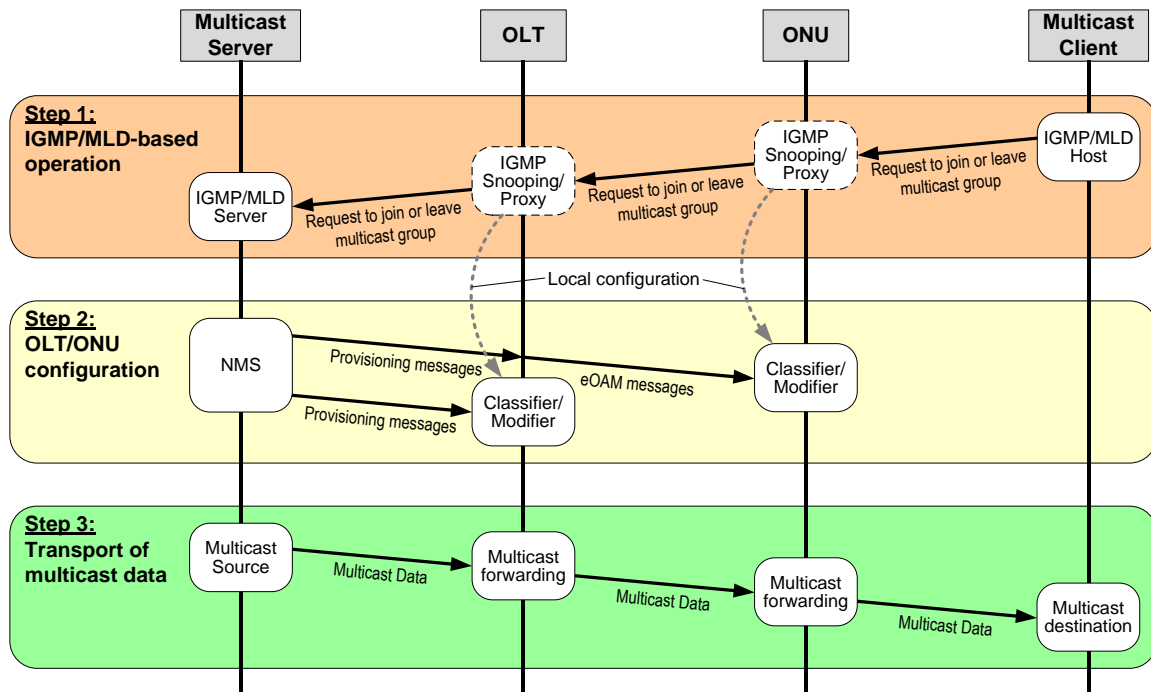
4 **7.3 Tunneling configurations**

5 **7.4 Multicast configurations**

6 **7.4.1 Introduction**

7 This subclause describes *EPON multicast connectivity*, which refers to EPON's ability to deliver identical  
8 copies of a frame from the OLT's input port located at the OLT\_CI to a group of ONU's output ports  
9 located at ONU\_CI.

10 In general, establishing multicast operation in EPON involves three steps, as shown in Figure 7-20. In the  
11 first step, a multicast client issues a request to join a multicast group. In the second step, the EPON  
12 multicast transport channel is provisioned by configuring Classifier and Modifier at the OLT and the ONU.  
13 The provisioning may involve establishing a new multicast-bearing ESP at the OLT or the ONU, or just  
14 adding an additional destination output port to already existing ESP. Finally, in the third step, the multicast  
15 data is transported over EPON to the multicast clients.



16 **Figure 7-20—Steps establishing multicast operation in EPON**

18 ~~Several methods to establish multicast connectivity are defined:~~

19 ~~— Multicast based on combined LLID and IP group address (see )~~

20 ~~All these methods specify multicast control and multicast transport requirements.~~

1 Multicast group control requirements cover methods and protocols used to create and delete multicast  
2 groups and to add or remove destination output ports to and from the existing multicast groups (e.g., step 1  
3 in Figure 7-20). The methods to control multicast groups employ IGMP and/or MLD protocols and expect  
4 the multicast clients to initiate the process of joining or leaving the multicast groups. The multicast group  
5 control requirements are specified in 7.4.3.

~~6 Multicast transport requirements specify various methods to establish the multicast transport channels and  
7 the associated configurations of the ONU and the OLT (step 2 in Figure 7-20).~~

~~8 It is possible to establish multicast operation solely by the decision of the operator, without involving step 1.  
9 In such *provisioned* multicast configuration, group membership is established by the NMS without any  
10 requests from the multicast clients and without employing IGMP/MLD. Any multicast transport method  
11 can be established by a direct provisioning by the NMS. Once the group membership is determined in step 1,  
12 the multicast transport mechanisms need to be configured to support the new or changed multicast group.  
13 Subclause 7.4.4 ~~Multicast transport requirements specify~~describes various methods to establish the  
14 multicast transport channels and the associated configurations of the ONU and the OLT (e.g., step 2 in  
15 Figure 7-20).~~

16 It is possible to establish multicast operation solely by the decision of the operator, without involving step 1.  
17 In such *provisioned* multicast configuration, group membership is established by the NMS without any  
18 requests from the multicast clients and without employing IGMP/MLD. Any multicast transport method  
19 can be established by a direct provisioning by the NMS.

20 The transport mechanisms that allow frames to be delivered to all ONUs belonging to a given multicast  
21 group (e.g., step 3 in Figure 7-20) are explained in 7.4.3.

22  
23 In this subclause, the term *multicast server* is used to denote collectively a multicast server (source of  
24 multicast data frames) and a multicast router (source and destination of multicast control frames), the  
25 functionality of which may be geographically or logically distinct. The term *multicast client* is used to  
26 denote a recipient of multicast data whose membership in a multicast group can be controlled  
27 independently.

28 The term *group address* represents either the MAC multicast group address or the **IP** multicast group  
29 address.

## 30 31 **7.4.2 Multicast transport mechanisms**

32 The EPON multicast ~~connectivity-transport~~ includes *inter-ONU multicast* (i.e., data frame being sent to a  
33 subset of ONUs connected to a given OLT) and *intra-ONU multicast* (i.e., data frame being ~~duplicate~~  
34 replicated to a subset of ~~output-service~~ ports within a given ONU).

35 Intrinsically, in the downstream direction, the P2MP architecture of EPON is a broadcasting medium. As a  
36 result, without any additional filtering, a single data frame transmitted by the OLT is received by every  
37 ONU. EPON, in most cases, uses the broadcasting properties of its medium to achieve efficient single-copy  
38 inter-ONU multicast. Inter-ONU multicast transport typically employs P2MP logical links (i.e., multicast  
39 LLIDs) to ensure that a multicast frame is accepted by multiple ONUs (see 7.4.2.1). In addition to the  
40 LLID field, ~~the~~ multicast filtering may be based on ~~LLID~~, MAC address, VLAN tags, IP address, or a  
41 combination of these fields.

1 Intra-ONU multicast is achieved by configuring a multicast ESP that ~~duplicates~~ replicates a received frame  
2 into ~~the~~ multiple downstream Queues/queues, thus delivering ~~them~~ a copy of each multicast frame to  
3 multiple output ports (see 7.4.2).

#### 4 **7.4.2.1 Multicast LLID**

5 A P2MP logical link binds a single MAC instance at the OLT to multiple MAC instances in different  
6 ONUs. A downstream frame transmitted by the OLT into a P2MP logical link is delivered to a set of ONUs  
7 (see 4.5).

8 To establish a P2MP logical link, the NMS provisions multiple ONUs to accept the same LLID value,  
9 which is referred to as *multicast LLID* (mLLID). A downstream frame sent to such P2MP logical link (i.e.,  
10 forwarded to the MAC associated with the mLLID) gets delivered to all the ONUs in the given multicast  
11 group (i.e., all ONUs that were provisioned to accept this mLLID value).

12 From the OLT perspective, an mLLID represents a logical channel that delivers frames to a set of ONUs.  
13 To serve multicast traffic to a multicast group, the OLT forwards a single copy of each multicast frame to a  
14 PON-facing MAC instance associated with the mLLID provisioned for this multicast group.

15 ONUs are generally unaware if an LLID is unicast or multicast (i.e., ONUs are unaware whether the same  
16 LLID value has been provisioned in other ONUs). At the ONU, there is no distinction in handling the  
17 multicast LLID versus handling the unicast unidirectional LLID.

18 In some configurations, the logical channel formed by the mLLID is dedicated to a single multicast session.  
19 In such configurations, the mLLID value uniquely identifies an individual multicast session and the ONU  
20 classification rules may classify multicast frames solely by the mLLID value.

21 In other configurations, an mLLID logical channel is allocated for a set of multicast sessions. In such  
22 configurations, an individual multicast session is identified by a combination of mLLID value and values of  
23 some other fields, typically IP Group DA and/or IP SA. Correspondingly, the ONU classification rules may  
24 require multiple fields to classify frames as belonging to individual multicast sessions.

25 Different types of LLIDs (PLID, MLID, and ULID) may be provisioned as multicast LLIDs.

#### 26 **7.4.2.1.1 Multicast PLID**

27 A multicast PLID (mPLID) is used to deliver MPCPDUs to a set of ONUs. Only unidirectional  
28 (downstream-only) PLID may be provisioned as mPLID (see 7.4.4.1.1). At the ONU, the MPCPDUs  
29 received in envelopes with mPLID are passed the the same receive queue as MPCPDUs received in  
30 envelopes with the primary PLID.

31 Note that the downstream MPCPDUs sent in envelopes with mPLIDs are typically delivered to multiple  
32 ONUs, and therefore the *Timesamp* values in these MPCPDUs are not pre-compensated for the individual  
33 ONU's RTTs. Consequently, an ONU shall not attempt to synchronize its local MPCP clock using the  
34 *Timestamp* values from the MPCPDUs received over the unidirectional PLIDs.

#### 35 **7.4.2.1.2 Multicast MLID**

36 A multicast MLID (mMLID) is used to deliver OAMPDUs, CCPDUs, or VLCPDUs (if supported) to a set  
37 of ONUs. Only unidirectional (downstream-only) MLID may be provisioned as mMLID (see 7.4.4.1.1). At  
38 the ONU, the management PDUs received in envelopes with mMLID are passed the the same receive  
39 queue as the PDUs received in envelopes with the primary MLID. If a management PDU requires a  
40 response from an ONU, such response is always transmitted in an envelope with the primary MLID.

1 **7.4.2.1.3 Multicast ULID**

2 A multicast ULID (mPLID) is used to deliver user (data) frames to a set of ONUs. Both bidirectional and  
3 unidirectional (downstream-only) ULID may be provisioned as mULID (see 7.4.4.1.1). At the ONU, the  
4 downstream user frames received in envelopes with mPLID are passed the the Classifier, just like the data  
5 frames received in envelopes with unicast ULIDs. ONUs may transmit upstream data frames in envelopes  
6 with mULID, if they were granted to do so, and if the mLID value was provisioned as the bidirectional  
7 ULID.

8 **7.4.2.1.4 Broadcast LLID**

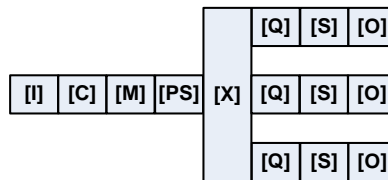
9 An LLID that delivers downstream frames to all ONUs connected to a given OLT PON port is called a  
10 broadcast LLID (bLLID). bLLID is a special case of multicast LLID and it follows the same provisioning  
11 principles as described above. Additionally, the IEEE 802.3 specification defines two bLLID values that  
12 are enabled at the ONUs without explicit provisioning (see IEEE 802.3, 144.3.5):

13 — BCAST\_PLID (0x00-02): PLID value reserved for MPCPDU broadcast

14 — BCAST\_MLID (0x00-03): MLID value reserved for broadcast of management frames  
15 (OAMPDUs, CCPDUs, and optionally, VLCPDUs).

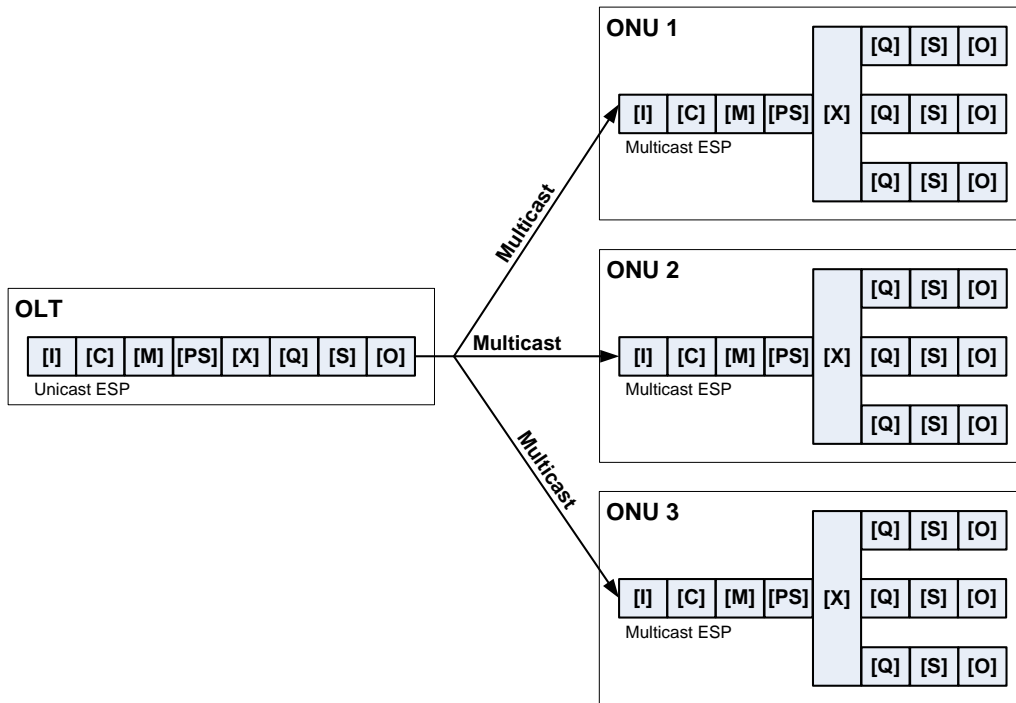
16 **7.4.2.1.7.4.2.2 Multicast ESP**

17 A multicast EPON Service Path (ESP) is a data path n-ESP that directs each received-matching frame to a  
18 CrossConnect entry for which multiple elements (multiple queues) are provisioned, as illustrated in Figure  
19 7-21.



20  
21 **Figure 7-21—Multicast ESP**

22 Generally, to achieve multicast connectivity in EPON, a unicast ESP is provisioned at the OLT, and  
23 multicast ESPs are provisioned in target ONUs. The Modifier entry in the unicast ESP at the OLT may be  
24 provisioned to insert into each frame traversing that ESP a field (typically a VLAN tag or an IP multicast  
25 address) with a specific value, identifying the given multicast group. The Classifiers in the ONUs that  
26 belong to this multicast group are provisioned to direct each received frame with the same specific value of  
27 the multicast tag to the multicast ESP. The multicast ESP in the ONU forwards the received multicast  
28 frame to multiple downstream output ports (i.e., service ports). This is illustrated in Figure 7-22.



**Figure 7-22—Multicast configuration using unicast ESP in the OLT and multicast ESPs in the ONUs**

1  
2  
3  
4  
5  
6  
7  
8  
9  
10  
11

It is also possible to provision multicast ESP at the OLT. This may be necessary to provision a multicast ESP at the OLT in several situations, e.g., in a situation when a multicast group combines an OLT operates at both 10 Gb/s ONUs and with 40-25 Gb/s and/or 50 Gb/s ONUs downstream line rates as when 25G-EPON and 50G-EPON coexist on the same outside plant (see ). In this case, the CrossConnect at the OLT may be provisioned to duplicate each multicast frame to 10G-EPON and 25G-EPON and 50G-EPON SCB P2MP logical link channels (see Figure 7-23). The 50 Gb/s ONUs may receive multicast traffic on a 25 Gb/s P2MP logical link together with 25 Gb/s ONUs, or on a separate 50 Gb/s P2MP logical link (see 7.4.2.3).

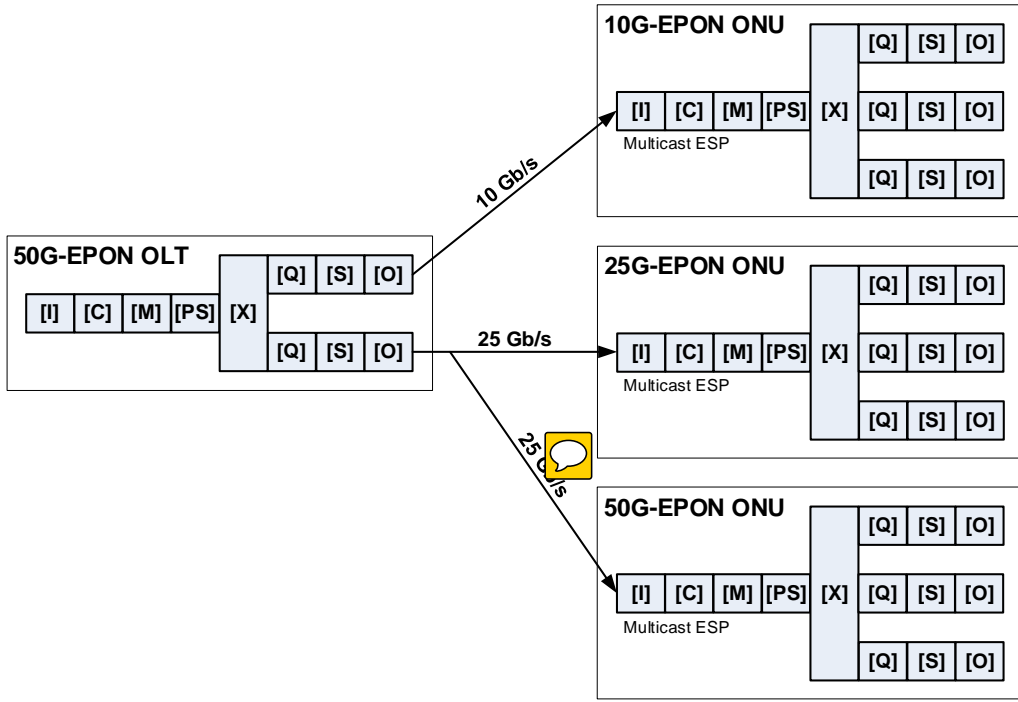


Figure 7-23—Multicast ESP in 10G-EPON OLT at the OLT to support 10G-EPON and 25/50G-EPON ONUs

1  
2  
3  
4  
5  
6  
7  
8  
9  
10

It is also possible to use multicast ESP at the OLT in order to eliminate inter-ONU multicast. In this case, EPON multicast connectivity is achieved by duplicating each multicast frame at the OLT into multiple queues and delivering a separate copy of the frame to each ONU using previously established unicast channels/P2P logical links, as shown in Figure 7-24. This method allows independent encryption of each ONU's traffic (including the multicast traffic), however it consumes more downstream bandwidth than the single-copy multicast method utilizing the mLLD.

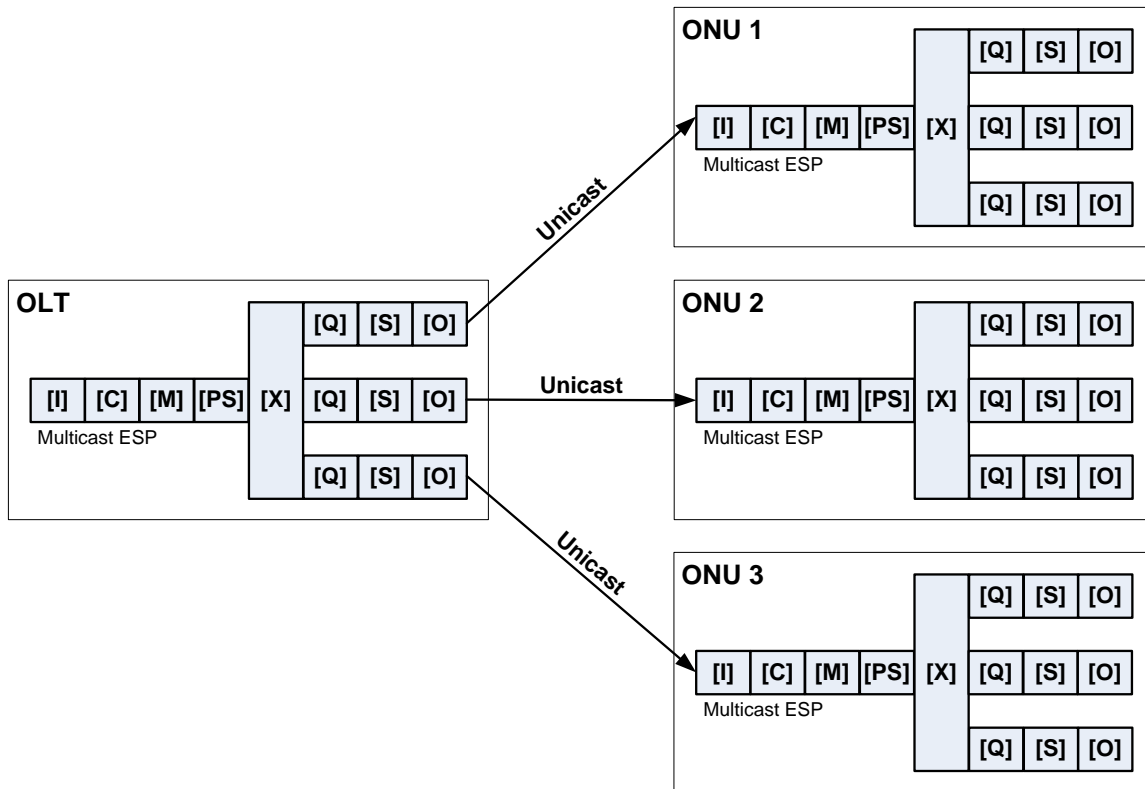


Figure 7-24—Multicast connectivity without inter-ONU multicast

### 7.4.2.27.4.2.3 1G25G-EPON/ and 5040G-EPON coexistence requirements

All The multicast transport methods described in this subclause supports 1G25G-EPON/10G50G-EPON coexistence, i.e., an ability to include combine 1-25 Gb/s ONUs and 10-50 Gb/s ONUs into a single multicast group. Two methods are possible for supporting such multicast group.

One method is to use a single P2MP logical link, i.e., to provision the same mLLID value to be accepted by all ONUs belonging to the given multicast group. Under this method, a unicast ESP is provisioned at the OLT, which transmits a single copy of each multicast frame. However the data rate of the multicast stream is limited to 25 Gb/s, even for the 50G-EPON ONUs that are able to receive at the rate of 50 Gb/s. This method is illustrated in Figure 7-23.

The other method to combine 25 Gb/s ONUs and 50 Gb/s ONUs into a single multicast group is to allocate separate P2MP logical links for the 25 Gb/s ONUs and 50 Gb/s ONUs. In this method, a multicast ESP at the OLT duplicates multicast frames into two separate logical links: one transmitting only to 25 Gb/s ONUs, and the other transmitting only to 50 Gb/s ONUs. This method uses different mLLID values for 25 Gb/s ONUs and 50 Gb/s ONUs. The mLLID that is provisioned for the 50 Gb/s ONUs is able to transmit data at a rate of 50 Gb/s. This method is illustrated in Figure 7-24.

The latter method may also be extended to support multicast groups that combine 1G-EPON and 10G-EPON ONUs (per IEEE 1904.1) with 25G-EPON and 50G-EPON ONUs, though such cross-generation multicast support is outside the scope of this standard.

When a multicast group includes clients that are connected to both 1 Gb/s ONUs and 10 Gb/s ONUs, the OLT employs a multicast ESP that duplicates frames to two output ports: one associated with the 1 Gb/s downstream channel and the other associated with the 10 Gb/s downstream channel, as illustrated in Figure 7-23.



~~In the multicast transport methods described in 7.4.2, 7.4.3, and 7.4.4, multicast transmission utilizes broadcast LLIDs. In these methods, if a multicast group includes 1 Gb/s and 10 Gb/s ONUs, the OLT shall duplicate multicast frames to two output ports: one connected to 1G EPON broadcast LLID 0x7F FF and the other one connected to 10G EPON broadcast LLID 0x7F FE (see IEEE Std 802.3, 76.2.6.1.3.2). To duplicate a multicast frame to two output ports, the OLT instantiates a multicast ESP, as shown in Figure 7-23.~~

~~In the multicast transport method described in 7.4.2, multicast transmission utilizes provisioned multicast LLIDs. Using this method, if a multicast group includes 1 Gb/s and 10 Gb/s ONUs, the OLT shall duplicate multicast frames to two output ports: one connected to 1G EPON multicast LLID and the other one connected to 10G EPON multicast LLID. Both LLIDs may be provisioned to have the same or different values.~~

~~In any of the specified multicast transport methods, if all multicast clients with membership in a specific multicast group are connected to the same ONU type (25G EPON or 50G EPON ONU), the OLT shall forward multicast frames for the given multicast group using a unicast ESP (see Figure 7-22) associated with either the broadcast LLID (for methods described in 7.4.2, 7.4.3, and 7.4.4) or multicast LLID (for the method described in 7.4.2).~~

#### **7.4.2.37.4.2.4 ONU-sourced multicast transport**

ONU-sourced multicast may be supported by configuring the ONU to transfer any multicast frames to the OLT using an upstream ~~unicast channel~~P2P logical link and configuring the OLT to recognize such frames (based on VLAN value or multicast group address, or a combination of both) and to forward such frames into a downstream ~~multicast channel~~P2MP logical link. This configuration is illustrated in Figure 6-7.

### **7.4.3 Multicast group control**

#### **7.4.3.1 Client-controlled and server-controlled multicast group membership**

~~A multicast group membership may be *client-controlled* or *server-controlled*. A client-controlled group membership (sometimes referred to as a *dynamic multicast session*) is initiated by multicast clients that independently issue requests to join or leave a multicast group. A server-controlled group membership (sometimes referred to as *static multicast session*) is initiated and configured by a multicast server or NMS without any explicit input from multicast clients. The OLT and ONUs shall support server-controlled multicast and should support client-controlled multicast.~~

#### **7.4.2.47.4.3.2 IGMP-based and MLD-based multicast group control**

~~When-If~~ the client-controlled multicast group membership method is utilized, it relies on either IGMP or MLD protocols. The ONU does not proxy or snoop IGMP/MLD messages to track IP multicast group membership and has no IP multicast control protocol awareness. In the upstream direction, the ONU forwards IGMP/MLD control messages received from the multicast clients to the OLT after adding appropriate encapsulation parameters as configured by the OLT. All processing of IGMP/MLD control messages and tracking of IP multicast group membership are centralized and performed by a multicast control agent, that may reside in the OLT or elsewhere.~~the OLT.~~

#### **7.4.2.4.17.4.3.2.1 ONU requirements**

In the upstream direction, the ONU shall forward all IGMP/MLD control messages received at the ~~UNI~~service to the ONU\_MDI using a provisioned unicast ESP. The Modifier block of the ESP may be configured to add a VLAN Tag to the multicast control frame prior to forwarding the multicast control frame to the ONU\_MDI.

1 In the downstream direction, multicast-group-specific IGMP/MLD control frames are forwarded according  
2 to the forwarding rules configured on the ONU.

### 3 7.4.2.4.27.4.3.2.2 OLT requirements

4 The following requirements apply to the OLT if the optional client-controlled multicast membership method  
5 is supported and the multicast control agent resides in the OLT.

6 When the OLT receives a *JOIN* request for a specific IP multicast session from a multicast client connected  
7 to a specific UNIservice port, it performs the following actions:

- 8 a) If OLT does not know the instance of the UNIservice port to which the multicast client is  
9 connected, it shall query the ONU to determine an instance of a UNIservice port on which the  
10 given client's MAC address has been learned.
- 11 b) If the ONU is not already configured to receive the mLLID carrying the requested IP multicast  
12 session, the OLT shall provision the mLLID (see 7.4.2.3.1).
- 13 c) If the ONU is not already configured to receive the requested IP multicast session, the OLT shall  
14 add a new classification and forwarding rule to forward the requested multicast session to the  
15 specific UNIservice port (see 7.4.2.3.2).
- 16 d) If the ONU is already receiving the requested multicast session, but the given UNIservice port is  
17 not configured to receive the multicast session, the OLT shall modify the existing classification  
18 and forwarding rule to include the additional UNIservice port into the existing multicast group.  
19 The rule modification involves provisioning of a new rule and then deleting the old rule (see  
20 7.4.2.3.2).
- 21 e) If the given UNIservice port is already configured to receive the requested IP multicast session,  
22 the OLT takes no action.

23 In some implementations, when the OLT receives the first *JOIN* request for a specific IP multicast session  
24 from a multicast client connected to a specific UNIservice port, the OLT verifies whether this UNIservice  
25 port is authorized to receive the requested IP multicast session. In such scenario, the OLT provisions the  
26 mLLID and the necessary classification and forwarding rules in the ONU only if the UNIservice port is  
27 authorized to receive the multicast session. The method used to authorize the UNIservice ports is outside of  
28 scope of this standard.

29 If the IP multicast session requested by a client does not exist in the OLT (i.e., the requested multicast  
30 stream is not being currently forwarded to any multicast clients on the given EPON), the OLT shall  
31 provision a local multicast-bearing ESP that forwards multicast traffic identified by the requested IP  
32 multicast address to the same mLLID that is provisioned on the ONUs to receive this multicast stream.

33 When the OLT determines that there are no multicast clients for an IP multicast session connected to an  
34 ONU UNIservice port, the OLT shall modify the associated classification and forwarding rules at the ONU  
35 to stop forwarding the indicated multicast session to the UNIservice port (see 7.4.2.3.3).

36 When the OLT determines that there are no multicast clients for an IP multicast session connected to any of  
37 the UNIservice ports on an ONU, the OLT shall configure the ONU to delete the associated classification  
38 and forwarding rule (see 7.4.2.3.3).

39 When the OLT determines that there are no multicast clients connected to any of the UNIservice ports on  
40 an ONU for any of IP multicast sessions being delivered on a specific mLLID, in addition to deleting the  
41 classification and forwarding rules associated with these IP multicast sessions, the OLT shall configure the  
42 ONU to delete the mLLID used to deliver these IP multicast sessions (see 7.4.2.3.1).

#### 7.4.37.4.4 Provisioning of multicast forwarding transport

The OLT provisions multicast forwarding either in response to multicast clients' requests to join a specific multicast group, in case of client-controlled multicast group membership, or in response to a NMS request, in case of server-controlled multicast group membership. In either case, provisioning of LLID-based multicast forwarding involves the following two steps:

- Configuring inter-ONU multicast per ~~7.4.2.3.1~~ (see [7.4.4.1](#)), and
- ~~— Configuring intra-ONU multicast per or~~

~~The OLT controls the intra-ONU forwarding through provisioning of classification/forwarding rules that forward the multicast frames to a set of destination service ports for the given multicast session. In scenarios where service ports belonging to a given multicast session are known to the OLT, the OLT provisions the intra-ONU multicast using the method defined in [7.4.4.3](#). However, in some scenarios (e.g., when using the client-controlled multicast), the OLT is only aware of the MAC addresses of the multicast clients. In this case, the OLT provisions the intra-ONU multicast as specified in [7.4.4.3](#).~~

#### ~~7.4.3.17.4.4.1~~ Provisioning of inter-ONU multicast based on ~~mLLID~~mLLID

~~Editorial Note (to be removed prior to publication): reference to acConfigMulticastLlid removed per tf4\_2106\_kramer\_4a.pdf~~

The inter-ONU multicast is provisioned using the *acConfigMulticastLlid* (0xDD/0x01-~~0720~~) action (see [7.4.4.2.3](#)). Using this action, the OLT may add a new mLLID to an ONU, delete a specific mLLID from the ONU, or delete all mLLIDs from the ONU.

Deleting one or all mLLIDs from the ONU shall not modify or delete any of the rules provisioned into Classifier/Modifier using the *aRuleSetConfig* (0xDB/0x05-01) attribute.

~~Editorial Note (to be removed prior to publication): reference to aOnuMulticastLlid removed per tf4\_2106\_kramer\_4a.pdf~~

The OLT may retrieve a list of all registered mLLIDs in the ONU using the attribute *aOnuMulticastLlidType* (0xDB/0x01-~~1020~~) (see [7.4.4.2.1d](#)).

#### ~~7.4.3.27.4.4.2~~ Provisioning of intra-ONU multicast using ~~port-based multicast group control~~service ports

A multicast group at an ONU denotes a set of UNI-service ports configured to forward frames belonging to a given multicast session. A multicast group is created at an ONU when the first UNI-service port is configured to forward frames belonging to a given multicast session. A multicast group is considered deleted when the last port is configured to not forward frames belonging to a given multicast session.

To add a port to a specific multicast group, the OLT uses the attribute *aRuleSetConfig* (0xDB/0x05-01) (see 14.4.6.1). To replicate a multicast frame to multiple UNI-service ports, the *aRuleSetConfig* attribute includes multiple *sResult* sub-attributes with the *sFrameAction* set to *QUEUE* (see 14.4.6.1.2).

To add the *first* UNI-service port to a multicast group, the OLT shall generate the *aRuleSetConfig* attribute that includes:

- One or more *sClause* sub-attributes necessary to match frames belonging to specific multicast flow

1 — A single *sResult* sub-attribute with the action set to *QUEUE*, directing traffic to a specific  
2 queue associated with a specific [UNIservice](#) port instance.

3 To add an additional [UNIservice](#) port to a multicast group already existing in the ONU, the OLT shall  
4 generate a new *aRuleSetConfig* attribute, that contains an additional *sResult* sub-attribute with the action set  
5 to *QUEUE*, but is otherwise identical to the existing rule for the given multicast group.

6 The OLT shall not generate a rule with multiple *sResult* sub-attributes pointing to the same instance of a  
7 [UNIservice](#) port. The ONU shall reject a rule with multiple *sResult* sub-attributes pointing to the same  
8 instance of a [UNIservice](#) port.

9 To delete a [UNIservice](#) port from an existing multicast group in the given ONU, the OLT shall generate a  
10 new *aRuleSetConfig* attribute, that does not contain the *sResult* sub-attribute forwarding traffic to the port  
11 being deleted, but is otherwise identical to the existing rule for the given multicast group.

12 To ensure that the multicast sessions currently being forwarded to the existing multicast clients are not  
13 interrupted when the multicast group is modified (i.e., a new [UNIservice](#) port is added to the group or one  
14 of existing [UNIservice](#) ports is deleted from the group), the OLT shall generate the new *aRuleSetConfig*  
15 attribute before deleting the old *aRuleSetConfig* attribute. The OLT shall not configure the ONU to delete  
16 the old *aRuleSetConfig* attribute before it receives a confirmation from the ONU that the new attribute was  
17 configured successfully.

18 When a new rule is added at the ONU and the old rule is deleted after that, and if the new rule contains the  
19 same *sClause* sub-attributes and some of the *sResult* clauses forwarding traffic to the same queues as the  
20 old rule, the Classifier at the ONU shall not discard any frames destined to these queues, i.e., the multicast  
21 flows to the existing and remaining multicast clients are not interrupted when other clients are added or  
22 deleted.

23 To delete all [UNIservice](#) ports from an existing multicast group in the given ONU, the OLT shall delete the  
24 associated *aRuleSetConfig* attribute entirely. This effectively deletes the entire multicast group in the given  
25 ONU.

#### 26 **7.4.3.37.4.4.3 Provisioning of intra-ONU multicast using MAC-based multicast group** 27 **control addresses**

28 The MAC-based multicast group control is used in situations where only the MAC addresses of multicast  
29 clients are known to the OLT. The MAC-based multicast group control is a two-step process:

- 30 1) The OLT queries the ONU to find out an instance of a [UNIservice](#) port on which the given  
31 MAC address has been learned.
- 32 2) The OLT adds this instance of [UNIservice](#) port to the given multicast group using the method  
33 described in [7.4.2.3.2 7.4.4.3](#).

34 To retrieve the instance of the [UNIservice](#) port on which the given MAC address has been learned, the OLT  
35 shall use the *acGetUniMacLearned* (0xDD/0x01-08) action (see 14.6.2.7). If the sub-attribute *sUniPort*  
36 contains the value 0xFF, indicating that the given MAC address has not been learned on any of [UNIservice](#)  
37 ports, the OLT shall not perform step 2).

38 To delete a multicast client from a given multicast group under the MAC-based multicast group control  
39 method, the OLT may query the ONU again to find out the instance of the [UNIservice](#) port of a given  
40 multicast client. Alternatively, the OLT may retain the association of MAC clients and [UNIservice](#) ports  
41 when each new multicast client is added, and the OLT may proceed to modify forwarding rules (i.e., add a  
42 new rule and/or delete an old rule) without additional querying of the ONU.

1 **7.4.3.47.4.4.4 Provisioning examples of mMulticast forwarding based on mLLID-mULID**  
 2 **and IP group address**

3 This subclause ~~defines~~ illustrates OLT and ONU multicast forwarding process based on ~~mLLID-mULID~~  
 4 and IP group address. Other configurations, while not explicitly described here, are also possible. For  
 5 example, multicast forwarding can be based on ~~mLLID-mULID~~ only, on ~~mLLID-mULID~~ and L2 DA  
 6 and/or SA, etc.

7 **7.4.3.4.17.4.4.4.1 OLT forwarding behavior**

8 Multicast frames arriving to the NNI are classified using either IP destination address or a combination of  
 9 IP destination address and IP source address and are then associated with an ~~mLLID-mULID~~ for  
 10 forwarding across the PON. This is achieved by provisioning an ESP Classifier rule that includes  
 11 minimally the destination IP multicast address, and may additionally include the source IP address, to  
 12 determine the appropriate ~~mLLID-mULID~~ on which to transport the frames.

13 In the simplest case, there is a one-to-one association between an IP multicast group and an ~~mLLIDmULID~~.  
 14 A more complex case exists wherein an ~~mLLID-mULID~~ carries frames from more than one multicast group.  
 15 The set of multicast groups that may be aggregated to use the same ~~mLLID-mULID~~ for transport across the  
 16 PON is determined by operator provisioning.

17 In the multicast mode based on combined ~~LLID-ULID~~ and IP group address, in the downstream direction,  
 18 the OLT ~~shall~~ applies rules and actions as illustrated in Table 7-32. Each rule (row) in the given table  
 19 represents a separate multicast group.

20 **Table 7-32—Classifier rules and Modifier actions for downstream ESP**  
 21 **in the OLT multicast filtering mode based on ~~mLLID-mULID~~ and IP group**  
 22 **address<sup>a-f</sup>**

Classifier rules	Modifier actions	Description
IF (EXISTS(IPv4_HEADER) AND IPv4_DA == IP4GA <sub>1</sub> ) THEN <m <sub>0</sub> , ..., x <sub>1</sub> >	[m <sub>0</sub> ] : none	These rules are provisioned when multicast filtering is performed based on IPv4 multicast destination address.
...		If a frame's IPv4_DA field matches the provisioned IPv4 group address IP4GA <sub>n</sub> , the frame is forwarded to the CrossConnect entry (x <sub>n</sub> ) that forwards the frame further to an output port associated with the proper <del>mLLID-ULID</del> .
IF (EXISTS(IPv4_HEADER) AND IPv4_DA == IP4GA <sub>n</sub> ) THEN <m <sub>0</sub> , ..., x <sub>n</sub> >		

Classifier rules	Modifier actions	Description
IF ( EXISTS ( IPv4_HEADER ) AND IPv4_DA == IP4GA <sub>1</sub> AND IPv4_SA == IP4SA <sub>1</sub> ) THEN < m <sub>0</sub> , ... , x <sub>1</sub> >	[ m <sub>0</sub> ] : none	These rules are provisioned when multicast filtering is performed based on IPv4 destination and source addresses.  If a frame's IPv4_DA field matches the provisioned IPv4 group address IP4GA <sub>n</sub> and IPv4_SA field matches the provisioned IPv4 source address IP4SA <sub>n</sub> , the frame is forwarded to the CrossConnect entry ( x <sub>n</sub> ) that forwards the frame further to an output port associated with the proper m <del>LID</del> ULID.
...		
IF ( EXISTS ( IPv4_HEADER ) AND IPv4_DA == IP4GA <sub>n</sub> AND IPv4_SA == IP4SA <sub>n</sub> ) THEN < m <sub>0</sub> , ... , x <sub>n</sub> >		
IF ( EXISTS ( IPv6_HEADER ) AND IPv6_DA == IP6GA <sub>1</sub> ) THEN < m <sub>0</sub> , ... , x <sub>1</sub> >	[ m <sub>0</sub> ] : none	These rules are provisioned when multicast filtering is performed based on IPv6 multicast destination address.  If a frame's IPv6_DA field matches the provisioned IPv6 group address IP6GA <sub>n</sub> , the frame is forwarded to the CrossConnect entry ( x <sub>n</sub> ) that forwards the frame further to an output port associated with the proper m <del>LID</del> ULID.
...		
IF ( EXISTS ( IPv6_HEADER ) AND IPv6_DA == IP6GA <sub>n</sub> ) THEN < m <sub>0</sub> , ... , x <sub>n</sub> >		
IF ( EXISTS ( IPv6_HEADER ) AND IPv6_DA == IP6GA <sub>1</sub> AND IPv6_SA == IP6SA <sub>1</sub> ) THEN < m <sub>0</sub> , ... , x <sub>1</sub> >	[ m <sub>0</sub> ] : none	These rules are provisioned when multicast filtering is performed based on IPv6 destination and source addresses.  If a frame's IPv6_DA field matches the provisioned IPv6 group address IP6GA <sub>n</sub> and IPv6_SA field matches the provisioned IPv6 source address IP6SA <sub>n</sub> , the frame is forwarded to the CrossConnect entry ( x <sub>n</sub> ) that forwards the frame further to an output port associated with the proper m <del>LID</del> ULID.
...		
IF ( EXISTS ( IPv6_HEADER ) AND IPv6_DA == IP6GA <sub>n</sub> AND IPv6_SA == IP6SA <sub>n</sub> ) THEN < m <sub>0</sub> , ... , x <sub>n</sub> >		

1 <sup>a</sup> IP4GA<sub>1</sub>-IP4GA<sub>n</sub> represent provisioned IPv4 destination group addresses.

2 <sup>b</sup> IP4SA<sub>1</sub>-IP4SA<sub>n</sub> represent provisioned IPv4 source addresses.

3 <sup>c</sup> IP6GA<sub>1</sub>-IP6GA<sub>n</sub> represent provisioned IPv6 destination group addresses.

4 <sup>d</sup> IP6SA<sub>1</sub>-IP6SA<sub>n</sub> represent provisioned IPv6 source addresses.

5 <sup>e</sup> When both source and destination addresses are used for matching multicast frames, the same values of  
6 destination group addresses may be combined with different values of the source addresses, and the same  
7 value of the source address may be combined with different values of the destination addresses. A unique  
8 combination of source and destination addresses identifies a unique multicast group.

9 <sup>f</sup> x<sub>1</sub>-x<sub>n</sub> represent the CrossConnect entry that forwards the frame to an output port associated with the  
10 proper m~~LID~~ULID. When the OLT supports 10 Gb/s and 40-25/50 Gb/s downstream channels, the x<sub>i</sub>  
11 entry is provisioned to duplicate frames to two ~~output ports~~downstream queues: one associated with

1 10 Gb/s mLLIDLLID and the other associated with 40-25 Gb/s mLLIDULID. Both mLLIDmulticast LLIDs  
 2 may have the same or different numerical values.

3 **7.4.3.4.27.4.4.4.2 ONU forwarding behavior**

4 At the ONU, multicast sessions may be identified by any of the following combinations of fields:

- 5 — IP DA
- 6 — IP DA and IP SA
- 7 — mLLIDULID value and IP DA
- 8 — mLLIDULID value, IP DA, and IP SA

9 In the multicast mode based on combined LLIDULID and IP group address, in the downstream direction,  
 10 the ONU shall apply rules and actions as illustrated in Table 7-33. Each rule (row) in the given table  
 11 represents a separate multicast session.

12 **Table 7-33—Classifier rules and Modifier actions for downstream ESP**  
 13 **in the ONU multicast filtering mode based on mLLIDULID and IP group**  
 14 **address<sup>a-g</sup>**

Classifier rules	Modifier actions	Description
IF (EXISTS(IPv4_HEADER) AND IPv4_DA == IP4GA <sub>1</sub> ) THEN <m <sub>0</sub> , ..., x <sub>1</sub> >	[m <sub>0</sub> ] : none	These rules are provisioned when multicast filtering is performed based on IPv4 multicast destination address. If a frame's IPv4_DA field matches the provisioned IPv4 group address IP4GA <sub>n</sub> , the frame is forwarded to the CrossConnect entry (x <sub>n</sub> ) that forwards the frame further to a set of output ports associated with the given IP multicast session.
...		
IF (EXISTS(IPv4_HEADER) AND IPv4_DA == IP4GA <sub>n</sub> ) THEN <m <sub>0</sub> , ..., x <sub>n</sub> >		

Classifier rules	Modifier actions	Description
IF ( EXISTS ( IPv4_HEADER ) AND IPv4_DA == IP4GA <sub>1</sub> AND IPv4_SA == IP4SA <sub>1</sub> ) THEN < m <sub>0</sub> , ... , x <sub>1</sub> >	[ m <sub>0</sub> ] : none	These rules are provisioned when multicast filtering is performed based on IPv4 destination and source addresses.  If a frame's IPv4_DA field matches the provisioned IPv4 group address IP4GA <sub>n</sub> and IPv4_SA field matches the provisioned IPv4 source address IP4SA <sub>n</sub> , the frame is forwarded to the CrossConnect entry ( x <sub>n</sub> ) that forwards the frame further to a set of output ports associated with the given IP multicast session.
...		
IF ( EXISTS ( IPv4_HEADER ) AND IPv4_DA == IP4GA <sub>n</sub> AND IPv4_SA == IP4SA <sub>n</sub> ) THEN < m <sub>0</sub> , ... , x <sub>n</sub> >		
IF ( EXISTS ( IPv6_HEADER ) AND IPv6_DA == IP6GA <sub>1</sub> ) THEN < m <sub>0</sub> , ... , x <sub>1</sub> >	[ m <sub>0</sub> ] : none	These rules are provisioned when multicast filtering is performed based on IPv6 multicast destination address.  If a frame's IPv6_DA field matches the provisioned IPv6 group address IP6GA <sub>n</sub> , the frame is forwarded to the CrossConnect entry ( x <sub>n</sub> ) that forwards the frame further to a set of output ports associated with the given IP multicast session.
...		
IF ( EXISTS ( IPv6_HEADER ) AND IPv6_DA == IP6GA <sub>n</sub> ) THEN < m <sub>0</sub> , ... , x <sub>n</sub> >		
IF ( EXISTS ( IPv6_HEADER ) AND IPv6_DA == IP6GA <sub>1</sub> AND IPv6_SA == IP6SA <sub>1</sub> ) THEN < m <sub>0</sub> , ... , x <sub>1</sub> >	[ m <sub>0</sub> ] : none	These rules are provisioned when multicast filtering is performed based on IPv6 destination and source addresses.  If a frame's IPv6_DA field matches the provisioned IPv6 group address IP6GA <sub>n</sub> and IPv6_SA field matches the provisioned IPv6 source address IP6SA <sub>n</sub> , the frame is forwarded to the CrossConnect entry ( x <sub>n</sub> ) that forwards the frame further to a set of output ports associated with the given IP multicast session.
...		
IF ( EXISTS ( IPv6_HEADER ) AND IPv6_DA == IP6GA <sub>n</sub> AND IPv6_SA == IP6SA <sub>n</sub> ) THEN < m <sub>0</sub> , ... , x <sub>n</sub> >		
IF ( <del>LLID</del> ULID VALUE == M <del>LLID</del> ULID AND EXISTS ( IPv4_HEADER ) AND IPv4_DA == IP4GA <sub>1</sub> ) THEN < m <sub>0</sub> , ... , x <sub>1</sub> >	[ m <sub>0</sub> ] : none	These rules are provisioned when multicast filtering is performed based on m <del>LLID</del> ULID value and IPv4 multicast destination address.  If a frame's <del>LLID</del> ULID VALUE field matches the provisioned M <del>LLID</del> ULID value and IPv4_DA field matches the
...		



Classifier rules	Modifier actions	Description
IF ( <del>L</del> LIDULID VALUE == M <del>L</del> LIDULID AND EXISTS(IPv4_HEADER) AND IPv4_DA == IP4GA <sub>n</sub> ) THEN <m <sub>0</sub> , ..., x <sub>n</sub> >		provisioned IPv4 group address IP4GA <sub>n</sub> , the frame is forwarded to the CrossConnect entry (x <sub>n</sub> ) that forwards the frame further to a set of output ports associated with the given IP multicast session.
IF ( <del>L</del> LIDULID VALUE == M <del>L</del> LIDULID AND EXISTS(IPv4_HEADER) AND IPv4_DA == IP4GA <sub>1</sub> AND IPv4_SA == IP4SA <sub>1</sub> ) THEN <m <sub>0</sub> , ..., x <sub>1</sub> >	[m <sub>0</sub> ]: none	These rules are provisioned when multicast filtering is performed based on m <del>L</del> LIDULID value and IPv4 destination and source addresses. If a frame's <del>L</del> LIDULID VALUE field matches the provisioned M <del>L</del> LIDULID value and IPv4_DA field matches the provisioned IPv4 group address IP4GA <sub>n</sub> and IPv4_SA field matches the provisioned IPv4 source address IP4SA <sub>n</sub> , the frame is forwarded to the CrossConnect entry (x <sub>n</sub> ) that forwards the frame further to a set of output ports associated with the given IP multicast session.
...		
IF ( <del>L</del> LIDULID VALUE == M <del>L</del> LIDULID AND EXISTS(IPv4_HEADER) AND IPv4_DA == IP4GA <sub>n</sub> AND IPv4_SA == IP4SA <sub>n</sub> ) THEN <m <sub>0</sub> , ..., x <sub>n</sub> >		
IF ( <del>L</del> LIDULID VALUE == M <del>L</del> LIDULID AND EXISTS(IPv6_HEADER) AND IPv6_DA == IP6GA <sub>1</sub> ) THEN <m <sub>0</sub> , ..., x <sub>1</sub> >	[m <sub>0</sub> ]: none	These rules are provisioned when multicast filtering is performed based on m <del>L</del> LIDULID value and IPv6 multicast destination address. If a frame's <del>L</del> LIDULID VALUE field matches the provisioned M <del>L</del> LIDULID value and IPv6_DA field matches the provisioned IPv6 group address IP6GA <sub>n</sub> , the frame is forwarded to the CrossConnect entry (x <sub>n</sub> ) that forwards the frame further to a set of output ports associated with the given IP multicast session.
...		
IF ( <del>L</del> LIDULID VALUE == M <del>L</del> LIDULID AND EXISTS(IPv6_HEADER) AND IPv6_DA == IP6GA <sub>n</sub> ) THEN <m <sub>0</sub> , ..., x <sub>n</sub> >		
IF ( <del>L</del> LIDULID VALUE == M <del>L</del> LIDULID AND EXISTS(IPv6_HEADER) AND IPv6_DA == IP6GA <sub>1</sub> AND IPv6_SA == IP6SA <sub>1</sub> ) THEN <m <sub>0</sub> , ..., x <sub>1</sub> >	[m <sub>0</sub> ]: none	These rules are provisioned when multicast filtering is performed based on m <del>L</del> LIDULID value and IPv6 destination and source addresses. If a frame's <del>L</del> LIDULID VALUE field matches the provisioned M <del>L</del> LIDULID value and IPv6_DA field matches the
...		

Classifier rules	Modifier actions	Description
<pre>IF (M<del>LL</del>IDULID VALUE == M<del>LL</del>IDULID AND EXISTS (IPv6_HEADER) AND IPv6_DA == IP6GA<sub>n</sub> AND IPv6_SA == IP6SA<sub>n</sub>) THEN &lt;m<sub>0</sub>, ..., x<sub>n</sub>&gt;</pre>		provisioned IPv6 group address IP6GA <sub>n</sub> and IPv6_SA field matches the provisioned IPv6 source address IP6SA <sub>n</sub> , the frame is forwarded to the CrossConnect entry (x <sub>n</sub> ) that forwards the frame further to a set of output ports associated with the given IP multicast session.

1 <sup>a</sup> IP4GA<sub>1</sub>-IP4GA<sub>n</sub> represent provisioned IPv4 destination group addresses.

2 <sup>b</sup> IP4SA<sub>1</sub>-IP4SA<sub>n</sub> represent provisioned IPv4 source addresses.

3 <sup>c</sup> IP6GA<sub>1</sub>-IP6GA<sub>n</sub> represent provisioned IPv6 destination group addresses.

4 <sup>d</sup> IP6SA<sub>1</sub>-IP6SA<sub>n</sub> represent provisioned IPv6 source addresses.

5 <sup>e</sup> M~~LL~~IDULID represents provisioned m~~LL~~IDULID value.

6 <sup>f</sup> When both source and destination addresses are used for matching multicast frames, the same values of  
7 destination group addresses may be combined with different values of the source addresses, and the same  
8 value of the source address may be combined with different values of the destination addresses. A unique  
9 combination of source and destination addresses identifies a unique multicast group.

10 <sup>g</sup> x<sub>1</sub>-x<sub>n</sub> represent the CrossConnect entry that forwards the frame to a set of downstream output port queues  
11 associated with the the given IP multicast session.

12

13